

Lexmark X850e, X852e, X854e

Intelligent departmental MFP featuring the Lexmark e-Task color touch screen.



LEXMARK[™]

Lexmark X850e, X852e, X854e

The Lexmark X850e, X852e and X854e provide efficient and convenient copy, fax, scan and print capabilities to automate and simplify business processes in large workgroups.

Lexmark X850e

Lexmark X852e

Lexmark X854e

In the Box	<ul style="list-style-type: none"> • 30,000-page Toner Cartridge • Photoconductor • 80+ GB Hard Disk • Setup Sheet • Software and Documentation CD • Warranty Sheet • Power Cord • RJ-11 Phone Cable 	<ul style="list-style-type: none"> • 30,000-page Toner Cartridge • Photoconductor • 80+ GB Hard Disk • Setup Sheet • Software and Documentation CD • Warranty Sheet • Power Cord • RJ-11 Phone Cable 	<ul style="list-style-type: none"> • 30,000-page Toner Cartridge • Photoconductor • 80+ GB Hard Disk • Setup Sheet • Software and Documentation CD • Warranty Sheet • Power Cord • RJ-11 Phone Cable
Part Number (US/Can.)	15R0050	15R0100	15R0150
Product Class	Large workgroup laser MFP		
Print Speed	up to 35 ppm (letter)	up to 45 ppm (letter)	up to 55 ppm (letter)
Time to First Page	As fast as 5.0 seconds		
Time to First Copy	As fast as 6.2 seconds		
Resolution	Copy: 600 x 600 dpi; Print: 1200 x 1200 dpi, 2400 image quality printing, 600 x 600 dpi		
Processor	625 MHz		
Memory (std./max.)	256MB/768MB		
Connectivity Standard Optional Option Slots	Print: Parallel, USB, Ethernet; Scan: Ethernet; USB Direct Interface: Scan and Print; Card Reader: USB Serial, Wireless, DRAM DIMM slots: 1; ISP (INA) slots: 1; Firmware Card/Flash memory slots: 2		
Printer Languages	PostScript 3, PCL 6, PPDS Migration Tool and direct PDF v1.5 printing		
Fonts	PostScript: 158 scalable; PCL: 89 scalable including OCR-A, OCR-B and Code 3 of 9 bar codes, 2 bitmapped; PPDS: 39 scalable, 5 bitmapped		
Operating Systems	Microsoft Windows, Mac, NetWare, UNIX and Linux		
Acoustics	Printing: 53 dBA; Copying: 56 dBA; Scanning: 54 dBA; Idle: 32 dBA		
Size (WxDxH)	25 in. x 25.5 in. x 43 in. (640 mm x 700 mm x 1095 mm)		
Weight	300 lb. (136 kg)		
Paper Capacity Standard Input Maximum Input Standard Output Maximum Output	3100 (500 + 500 + 2000 + 100 MPF) 5100 (500 + 500 + 2000 + 2000 + 100 MPF) 500 3800		
Paper Sources Standard Input Maximum Input Standard Output Maximum Output	5 6 1 3		
Media Information Types Size Weight	Plain paper, paper labels, card stock, transparencies, envelopes Letter, Legal, Tabloid, A4, A5, A3, JIS B5, JIS B4, Executive, Folio, Statement, Universal (3.5 in. x 3.8 in. to 11.7 in. x 17 in), envelopes (7 ³ / ₄ , 10, DL, C5) Plain Paper: 17 to 28 lb. (64 to 105 g/m ²); Card stock: up to 110 lb. index (199 g/m ²)		
Warranty	1-year OnSite Warranty or 600,000 impressions		

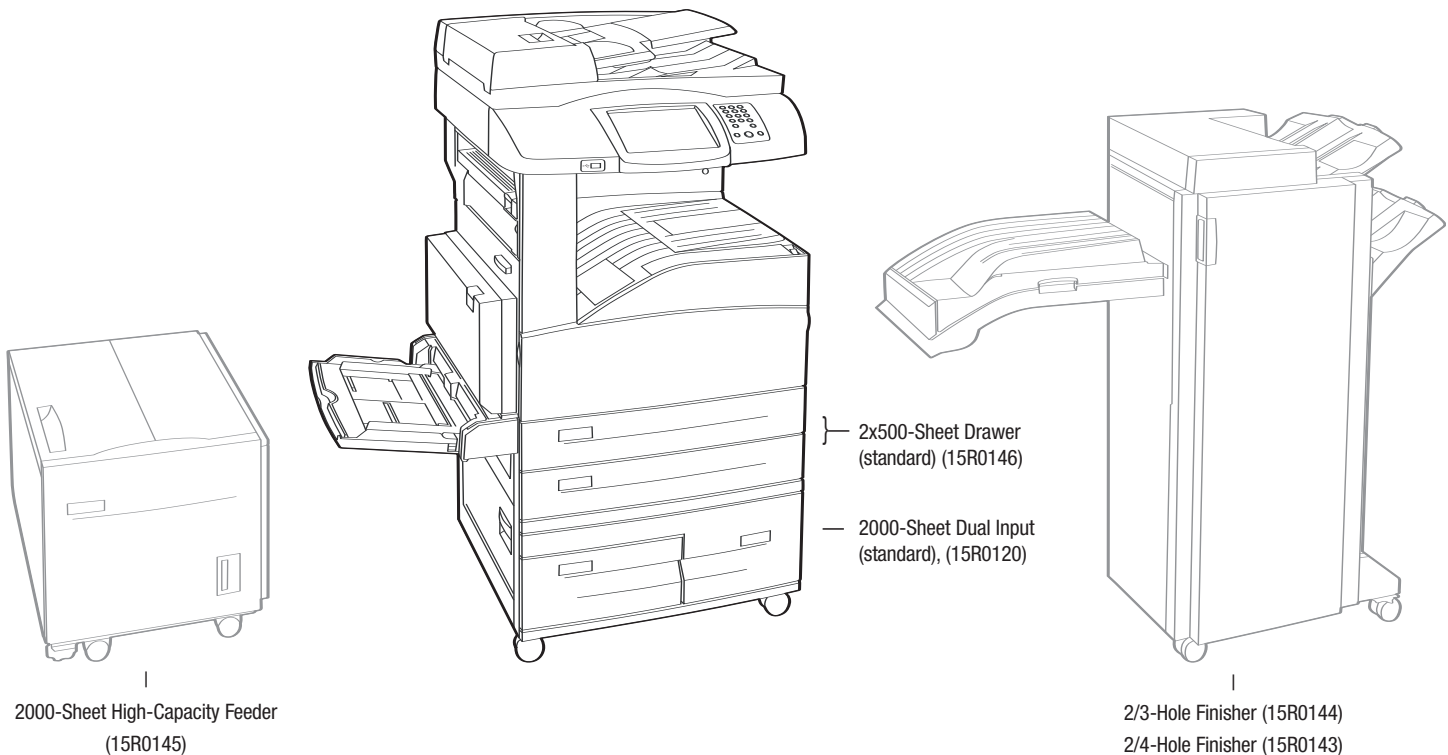
Lexmark X850e

Lexmark X852e

Lexmark X854e

Scanner Specifications	
Scanner Type	Color/Mono Flatbed with ADF
Max Optical Resolution	600 x 600 dpi (mono); 600 x 300 dpi (color)
Scan Area (flatbed)	Max. 11.7 in. x 17 in. (297 mm x 432 mm)
Scanner ADF	
Scanner Type	Recirculating Duplex with C-Path
Optical Resolution	600 x 600 dpi (mono); 600 x 300 dpi (color)
Capacity	75 sheets at 20 lb. (75 g/m ²)
Media Weights	Minimum: 17 lb. (64 g/m ²); Maximum: 32 lb. (128 g/m ²)
Max Speed	Mono: Up to 55 spm; Color: Up to 27.5 spm
Scan Area (ADF)	Minimum: 8.25 in. x 5.5 in. (210 mm x 139.7 mm); Maximum: 11.7 in. x 17 in. (297 mm x 432 mm)
Fax Specifications	
Standard Fax Modem	Analog; PC/33.6 Bps max
Transmission Speed	Approximately 3 seconds per page
Speed Dials	Minimum 5,000 (based on 10-digit phone number)
Resolutions	200 x 100 dpi, 200 x 200 dpi, 300 x 300 dpi, 400 x 400 dpi

Paper Handling Options



Supplies & Accessories

Part Number

Solutions	Font Cards (Double-Byte Character Set)	
	Traditional Chinese Font Card	1021242
	Japanese Font Card	1021243
	Korean Font Card	1021240
	Simplified Chinese Font Card	1021241
	Card for IPDS and SCS/TNe	15R0092
Supplies	Toner Cartridge (30,000-page yield) ¹	X850H21G
	X850e Photoconductor Kit (48,000-page yield)	X850H22G
	X852e Photoconductor Kit (60,000-page yield)	X850H22G
	X854e Photoconductor Kit (70,000-page yield)	X850H22G
	Maintenance Kit	40X2375
Media	Transparencies (letter)	70X7240
	Staple Pack (3 cartridges of 5,000)	25A0013
Connectivity	External Print Servers	
	N4050e Wireless 802.11g Print Server ²	14T0145
	Internal Print Servers ³	
	MarkNet N8020 Gigabit Ethernet	14S0200
	MarkNet N8030 Fiber Ethernet	14S0220
MarkNet N8050 802.11g Wireless	14S0165	
Adapters	RS-232C Serial Interface Card	1021092
Cables	10-foot Parallel Cable	1021231
	6-foot USB Cable	1021294
Memory options	128MB DRAM	13N1523
	256MB DRAM	13N1524
	512MB DRAM	13N1526
	32MB Flash Card	1021208
	64MB Flash Card	1021209

¹ Declared yield in accordance with ISO/IEC 19752.

² Requires USB connection

³ Use of an Internal Print Server disables the Ethernet card resident in the printer

