

Lexmark C760



- 4800 Color Quality
- 25 ppm monochrome and color
- Color care technology
- Built-in help pages

LEXMARK[™]

Lexmark C760

- Control the cost of color and usage with Lexmark Color Care Technology
- Outstanding print performance of 25 ppm in monochrome and color
- 70,000-page duty cycle for high reliability
- On-demand assistance with resident help pages



Lexmark C760, C760n, C760dn, C760dtn

Product Specifications

Part Number	US/Canada: 17S0000 (C760), 17S0050 (C760n), 17S0150 (C760dn), 17S0200 (C760dtn)
Product Class	Medium workgroup color laser printer; Calibrated for PANTONE™ solid color simulation
Speed	Black or Color: up to 25 ppm
Resolution	1200 x 1200 dpi, 4800 color quality
Time to First Page	Black: Less than 13.0 seconds; Color: Less than 15.0 seconds
Processor	C760: 500 MHz C760n, C760dn, C760dtn: 600MHz
Memory (std./max.)	128MB/512MB
Connectivity	
Standard	C760: Parallel, USB, 1 internal solutions port (ISP) C760n, C760dn, C760dtn: Ethernet, USB, 1 ISP
Optional	C760: Ethernet, Token-Ring, Serial, Wireless C760n, C760dn, C760dtn: Token-Ring, Parallel, Serial, Wireless
Network Mgmt. Utility	MarkVision Professional
Operating Systems	Windows, Linux, UNIX, Mac, NetWare and OS/400 For a complete list, visit www.lexmark.com.
Printer Languages	PostScript 3 and PCL 6 emulations and direct PDF v1.2/v1.3 printing
Fonts	PCL: 89 scalable, 2 bitmapped; PostScript: 158 scalable
Size (WxDxH)	C760, C760n: 23.8 in. x 18.5 in. x 20.8 in. (604.5 mm x 469.9 mm x 528.3 mm) C760dn: 23.8 in. x 18.5 in. x 24.3 in. (604.5 mm x 469.9 mm x 617.2 mm) C760dtn: 23.8 in. x 18.5 in. x 28.9 in. (604.5 mm x 469.9 mm x 734.1 mm)
Weight	C760, C760n: 105 lb. (47.7 kg) C760dn: 118.5 lb. (53.8 kg) C760dtn: 132 lb. (60 kg)
Acoustics	Printing: 52 dBA; Idle: 34 dBA
Duty Cycle	Up to 70,000 pages per month
Warranty	1-year LexOnSite SM Repair

Media Specifications

Paper Capacity (sheets)	C760, C760n, C760dn	C760dtn
Standard Input	600	1,100
Maximum Input	1,100	1,100
Output	250	250
Paper Sources	C760, C760n, C760dn	C760dtn
Standard Input	2	3
Maximum Input	3	3
Output	1	1
Media Types	Plain paper, card stock, transparencies, envelopes, vinyl labels, paper labels, polyester labels, dual-web labels, integrated labels, banner paper	
Media Sizes	Letter, A4, A5, JIS B5, statement, letter, folio, legal, executive, universal (2.75 x 5 in. to 8.5 x 14 in.), envelopes (7 ³ / ₄ , 9, 10, DL, C5, B5), banner (8.5 x 36 in.)	
Media Weights	Plain paper: 16-47 lb. (60-176 g/m ²); Card stock: Up to 110 lb. Index (up to 210 g/m ²); Labels: 48-92 lb. (180-300 g/m ²)	

In the Box



Lexmark C760

- Lexmark C760 Printer
- 3,000-page Cyan, Magenta, Yellow and Black Starter Printer Cartridges
- Power Cord
- Publications CD
- Drivers, MarkVision and Utilities CD

Lexmark C760n

- Lexmark C760
- EXCEPT**
- Ethernet (instead of parallel)
- 600 MHz processor (instead of 500 MHz)

Lexmark C760dn

- Lexmark C760n
- PLUS**
- Automatic two-sided printing

Lexmark C760dtn

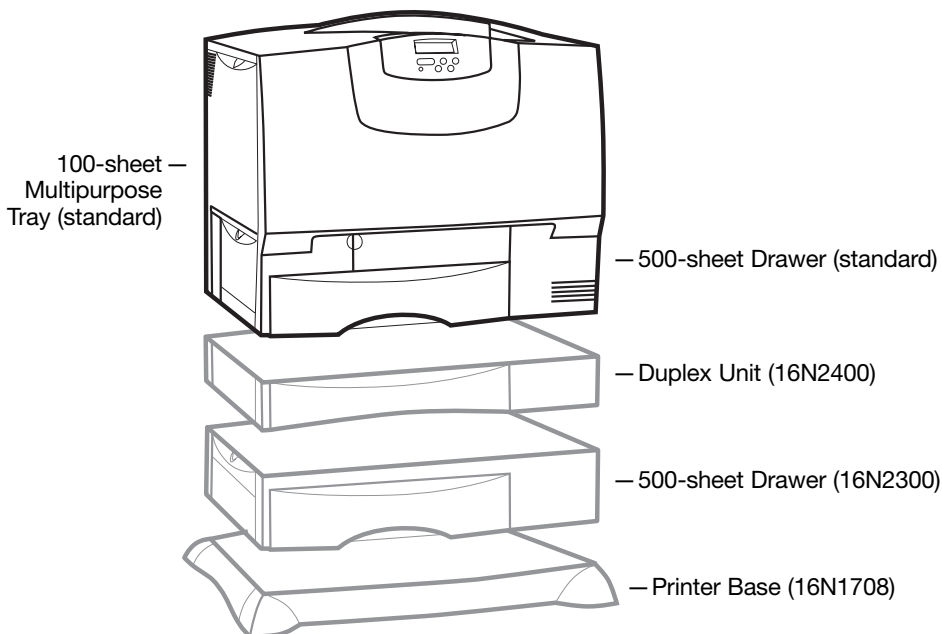
- Lexmark C760dn
- PLUS**
- Additional 500-sheet drawer

Lexmark C760

Supplies & Accessories

Supplies²	6000-page Return Program Black Print Cartridge	15G041K
	6000-page Return Program Cyan Print Cartridge	15G041C
	6000-page Return Program Magenta Print Cartridge	15G041M
	6000-page Return Program Yellow Print Cartridge	15G041Y
	6000-page Black Print Cartridge	15G031K
	6000-page Cyan Print Cartridge	15G031C
	6000-page Magenta Print Cartridge	15G031M
	6000-page Yellow Print Cartridge	15G031Y
	Toner Waste Container	10B3100
	Routine Maintenance Items:	
ITU Maintenance Kit with Transfer Roll	56P2848	
115V Fuser Maintenance Kit	56P2910	
Memory/Flash Options	64MB SDRAM	11N0023
	128MB SDRAM	11N0025
	256MB SDRAM	11N0036
	512MB SDRAM	12N0847
	16MB Flash Card ³	11K4616
	32MB Flash Card ³	11K4632
	20+GB Hard Disk with Adapter	12N1262

Paper Handling Options³



Options not pictured:
500-sheet Tray (16N3601)

Additional Information

- ¹ Occasional vinyl usage. Optional web oiler required for heavy usage
- ² Yield is based on approximately 5% print coverage for monochrome, 20% for color
- ³ One flash memory slot and one application slot available
- ⁴ Displays all available options for **base** model

Lexmark C760

Additional Accessories

Paper Handling Options	500-sheet Drawer	16N2300
	500-sheet Tray	16N1708
	Duplex Unit	16N240
Font Options	Traditional Chinese Font Card	10G0745
	Simplified Chinese Font Card	10G0744
	Japanese Font Card	10G0746
	Korean Font Card	10G0743
Optra Forms Solutions	Optra Forms Software (v4.3c)	11N0040
	Optra Forms Director (v1.0)	11N0052
	Optra Forms Manager	11N0056
	Lexmark Forms 16MB Flash Card	10G0747
	Lexmark Forms 32MB Flash Card	10G0748
	Lexmark Forms Hard Disk, 5GB or larger w/ Adapter	12P0086
	Optra Forms 2-Key Security	43H5841
Optra Forms 3-Key Security	43H5842	
Card Options	Lexmark C76X ImageQuick Card	16N3200
	Lexmark C76X Bar Code Card	16N3201
	Lexmark C76X Card for IPDS and SCS/TNe	16N3202
	Lexmark C76X Card for PRESCRIBE Emulation	16N3205
	Lexmark PrintCryption Card for C76X	16N3204
External Print Servers	MarkNet X2011e Ethernet 10/100BaseTX - 1 port	46D0060
	MarkNet X2012e Ethernet 10/100BaseTX/10 Base2 - 1 port	46D0040
	MarkNet X2031e Ethernet 10/100BaseTX - 3 port	46D0020
	MarkNet X2030t Token-Ring	46D0000
	Lexmark N4000e Print Server	14T0030
Internal Print Servers	MarkNet N2100t Token-Ring	14S0000
	MarkNet N2101e Ethernet 10/100BaseTX	14S0020
Wireless Connectivity	802.11g Wireless Print Adapter	1010042
	Lexmark N4050e 802.11g Wireless (USB) Americas	14T0145
Adapters	External Serial Adapter (RS-232/422C)	1368705
	Parallel 1284-B Interface Card	11K4601
	RS-232 Serial Interface Card	11K4602
Cables	Parallel 10 ft. cable	1329605
	USB 2 meter cable	12A2405
	Serial 50 ft. cable	1038693
Furniture	Lexmark C760/C762 Printer Base	16N1708

Lexmark, Lexmark with diamond design and LexOnSite are trademarks of Lexmark International, Inc., registered in the United States and/or other countries. Optra Forms is a trademark of Lexmark International, Inc. Mac OS and the Mac logo are trademarks of Apple Computer, Inc., registered in the U.S. and other countries. PCL is a registered trademark of Hewlett-Packard Company. The USB-IF logos are trademarks of Universal Serial Bus Implementers Forum, Inc. All other trademarks are the property of their respective owners. © 2004. Lexmark International, Inc. All rights reserved.

71K6530



Printed on recycled paper.

