

# Lexmark C762



- Banner size printing up to 8.5" x 36"
- 4800 Color Quality
- Color Care technology
- Built-in help pages

**LEXMARK**<sup>TM</sup>

# Lexmark C762



- Broadest range of paper-handling options in its class, including 8.5 in. x 36 in. banner printing
- Control the cost of color and usage with Lexmark Color Care Technology
- Multifunction option adds scan, copy, e-mail and fax capabilities
- 15,000-page high-yield print cartridges minimize user interface

## Lexmark C762, C762n, C762dn, C762dtn

### Product Specifications

<b>Part Number</b>	US/Canada: 23B0000 (C762), 23B0050 (C762n), 23B0150 (C762dn), 23B0200 (C762dtn)
<b>Product Class</b>	Medium/large workgroup color laser printer; Calibrated for PANTONE™ solid color simulation
<b>Speed</b>	Black or Color: up to 22.5 ppm
<b>Resolution</b>	1200 x 1200 dpi, 4800 Color Quality
<b>Time to First Page</b>	Black: Less than 13.0 seconds; Color: Less than 15.0 seconds
<b>Processor</b>	<b>C762:</b> 500 MHz; <b>C762n, C762dn, C762dtn:</b> 600 MHz
<b>Memory (std./max.)</b>	<b>C762, C762n, C762dn:</b> 128MB/512MB; <b>C762dtn:</b> 256MB/512MB
<b>Connectivity</b>	
Standard	<b>C762:</b> Parallel, USB, 1 internal solutions port (ISP) <b>C762n, C762dn, C762dtn:</b> Ethernet, USB, 1 ISP
Optional	<b>C762:</b> Ethernet, Token-Ring, Serial, Wireless <b>C762n, C762dn, C762dtn:</b> Token-Ring, Parallel, Serial, Wireless
Network Mgmt. Utility	MarkVision Professional
<b>Operating Systems</b>	Windows, Linux, UNIX, Mac, NetWare and OS/400 <b>For a complete list, visit <a href="http://www.lexmark.com">www.lexmark.com</a>.</b>
<b>Printer Languages</b>	PostScript 3 and PCL 6 emulations and direct PDF v1.2/v1.3 printing
<b>Fonts</b>	PCL: 89 scalable, 2 bitmapped; PostScript: 158 scalable
<b>Size (WxDxH)</b>	<b>C762, C762n:</b> 23.8 in. x 18.5 in. x 20.8 in. (604.5 mm x 469.9 mm x 528.3 mm) <b>C762dn:</b> 23.8 in. x 18.5 in. x 24.3 in. (604.5 mm x 469.9 mm x 617.2 mm) <b>C762dtn:</b> 23.8 in. x 18.5 in. x 28.9 in. (604.5 mm x 469.9 mm x 734.1 mm)
<b>Weight</b>	<b>C762, C762n:</b> 105 lb. (47.7 kg) <b>C762dn:</b> 118.5 lb. (53.8 kg) <b>C762dtn:</b> 132 lb. (60 kg)
<b>Acoustics</b>	Printing: 52 dBA; Idle: 34 dBA
<b>Duty Cycle</b>	Up to 100,000 pages per month
<b>Warranty</b>	1-year LexOnSite™ Repair

### Media Specifications

<b>Paper Capacity (sheets)</b>	<b>C762, C762n, C762dn</b>	<b>C762dtn</b>
Standard Input	600	1,100
Maximum Input	3,100	3,100
Standard Output	250	250
Maximum Output	3,900	3,900
<b>Paper Sources</b>	<b>C762, C762n, C762dn</b>	<b>C762dtn</b>
Standard Input	2	3
Maximum Input	5	5
Standard Output	1	1
Maximum Output	3	3
<b>Media Types</b>	Plain paper, card stock, transparencies, envelopes, vinyl labels, paper labels, polyester labels, dual-web labels, integrate labels, banner paper	
<b>Media Sizes</b>	Letter, A4, A5, JIS B5, statement, letter, folio, legal, executive, universal (2.75 x 5 in. to 8.5 x 14 in.), envelopes (7 3/4, 9, 10, DL, C5, B5), banner (8.5 x 36 in.)	
<b>Media Weights</b>	Plain paper: 16-47 lb. (60-176 g/m <sup>2</sup> ); Card stock: Up to 110 lb. Index (up to 210 g/m <sup>2</sup> ); Labels: 48-92 lb. (180-300 g/m <sup>2</sup> )	

### In the Box



#### Lexmark C762

- Lexmark C762 Printer
- 6,000-page Cyan, Magenta, Yellow and Black Print Cartridges
- Power Cord
- Publications CD
- Drivers, MarkVision and Utilities CD

#### Lexmark C762n

- Lexmark C762
- EXCEPT**
- Ethernet (instead of parallel)
- 600 MHz processor (instead of 500 MHz)

#### Lexmark C762dn

- Lexmark C762n
- PLUS**
- Automatic two-sided printing

#### Lexmark C762dtn

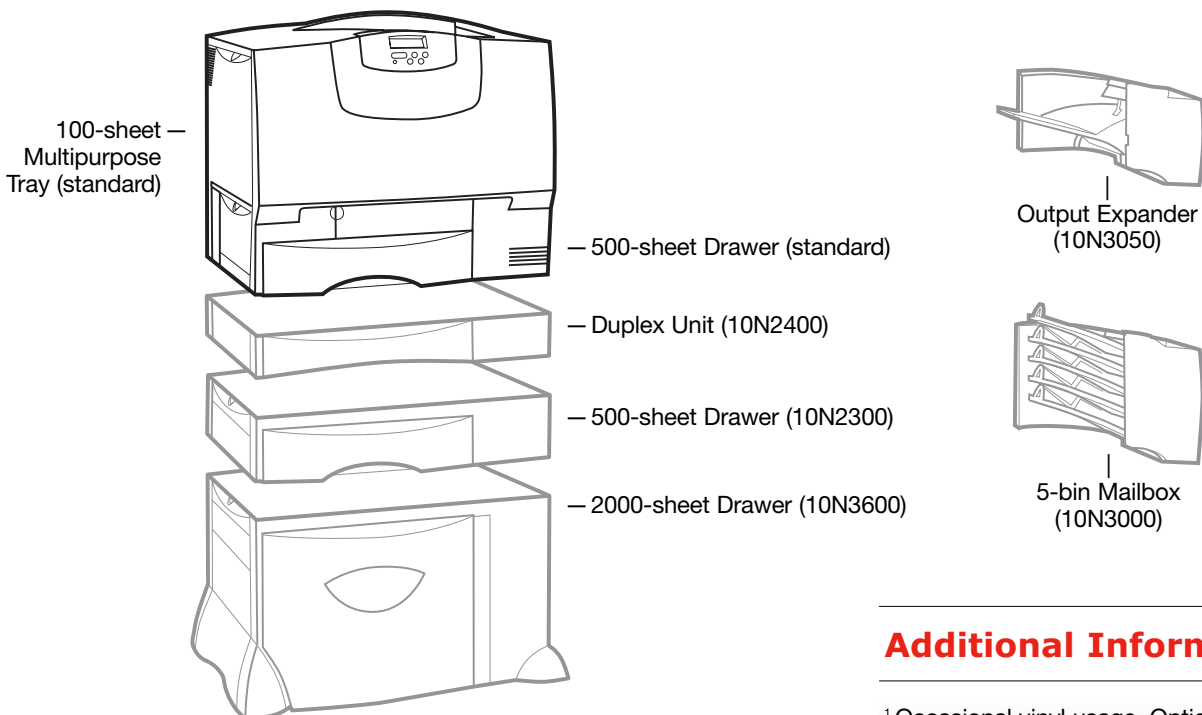
- Lexmark C762dn
- PLUS**
- Additional 128MB memory (256MB total)
- Additional 500-sheet drawer

# Lexmark C762

## Supplies & Accessories

<b>Supplies<sup>2</sup></b>	15,000-page High Yield Return Program Black Print Cartridge	15G042K
	15,000-page High Yield Return Program Cyan Print Cartridge	15G042C
	15,000-page High Yield Return Program Magenta Print Cartridge	15G042M
	15,000-page High Yield Return Program Yellow Print Cartridge	15G042Y
	15,000-page High Yield Black Print Cartridge	15G032K
	15,000-page High Yield Cyan Print Cartridge	15G032C
	15,000-page High Yield Magenta Print Cartridge	15G032M
	15,000-page High Yield Yellow Print Cartridge	15G032Y
	6000-page Return Program Black Print Cartridge	15G041K
	6000-page Return Program Cyan Print Cartridge	15G041C
	6000-page Return Program Magenta Print Cartridge	15G041M
	6000-page Return Program Yellow Print Cartridge	15G041Y
	6000-page Black Print Cartridge	15G031K
	6000-page Cyan Print Cartridge	15G031C
	6000-page Magenta Print Cartridge	15G031M
	6000-page Yellow Print Cartridge	15G031Y
	Toner Waste Container	10B3100
<b>Routine Maintenance Items:</b>		
ITU Maintenance Kit with Transfer Roll	56P2848	
115V Fuser Maintenance Kit	56P2910	
<b>Memory/Flash Options</b>	64MB SDRAM	11N0023
	128MB SDRAM	11N0025
	256MB SDRAM	11N0036
	512MB SDRAM	12N0847
	16MB Flash Card <sup>3</sup>	11K4616
	32MB Flash Card <sup>3</sup>	11K4632
	20+GB Hard Disk with Adapter	12N1262

## Paper Handling Options<sup>3</sup>



**Options not pictured:**  
 500-sheet Tray (10N3601)  
 Banner Tray (10N5000)  
 Envelope Drawer (10N3100)

Outdoor Media Drawer (10N3340)  
 Finisher S (10N3602)  
 Finisher T (10N3603)  
 Printer Base (10N1708)

## Additional Information

<sup>1</sup> Occasional vinyl usage. Optional web oiler required for heavy usage

<sup>2</sup> Yield is based on approximately 5% print coverage for monochrome, 20% for color

<sup>3</sup> One flash memory slot and one applications slot available

<sup>4</sup> Displays all available options for **base** model

# Lexmark C762

## Additional Accessories

<b>Paper Handling Options</b>	500-sheet Drawer	16N2300
	2000-sheet Drawer w/Base	16N3600
	500-sheet Tray	16N3601
	Banner Tray	16N5000
	Envelope Drawer	16N3100
	Outdoor Media Drawer	16N3340
	Output Expander	16N3050
	5-bin Mailbox	16N3000
	Duplex Unit	16N2400
	Finisher S	16N3602
	Finisher T	16N3603
<b>Font Options</b>	Traditional Chinese Font Card	10G0745
	Simplified Chinese Font Card	10G0744
	Japanese Font Card	10G0746
	Korean Font Card	10G0743
<b>Optra Forms Solutions</b>	Optra Forms Software (v4.3c)	11N0040
	Optra Forms Director (v1.0)	11N0052
	Optra Forms Manager	11N0056
	Lexmark Forms 16MB Flash Card	10G0747
	Lexmark Forms 32MB Flash Card	10G0748
	Lexmark Forms Hard Disk, 5GB or larger w/ Adapter	12P0086
	Optra Forms 2-Key Security	43H5841
Optra Forms 3-Key Security	43H5842	
<b>Card Options</b>	Lexmark C76X ImageQuick Card	16N3200
	Lexmark C76X Bar Code Card	16N3201
	Lexmark C76X Card for IPDS and SCS/TNe	16N3202
	Lexmark C76X Card for PRESCRIBE Emulation	16N3205
	Lexmark PrintCryption Card for C76X	16N3204
<b>External Print Servers</b>	MarkNet X2011e Ethernet 10/100BaseTX - 1 port	46D0060
	MarkNet X2012e Ethernet 10/100BaseTX/10 Base2 - 1 port	46D0040
	MarkNet X2031e Ethernet 10/100BaseTX - 3 port	46D0020
	MarkNet X2030t Token-Ring	46D0000
	Lexmark N4000e Print Server	14T0030
<b>Internal Print Servers</b>	MarkNet N2100t Token-Ring	14S0000
	MarkNet N2101e Ethernet 10/100BaseTX	14S0020
<b>Wireless Connectivity</b>	802.11g Wireless Print Adapter	1010042
	Lexmark N4050e 802.11g Wireless (USB)	14T0145
<b>Adapters</b>	External Serial Adapter (RS-232/422C)	1368705
	Parallel 1284-B Interface Card	11K4601
	RS-232 Serial Interface Card	11K4602
<b>Cables</b>	Parallel 10 ft. cable	1329605
	USB 2 meter cable	12A2405
	Serial 50 ft. cable	1038693
<b>Furniture</b>	Lexmark C760/C762 Printer Base	16N1708

Lexmark, Lexmark with diamond design and LexOnSite are trademarks of Lexmark International, Inc., registered in the United States and/or other countries. Optra Forms is a trademark of Lexmark International, Inc. Mac OS and the Mac logo are trademarks of Apple Computer, Inc., registered in the U.S. and other countries. PCL is a registered trademark of Hewlett-Packard Company. The USB-IF logos are trademarks of Universal Serial Bus Implementers Forum, Inc. All other trademarks are the property of their respective owners. © 2004. Lexmark International, Inc. All rights reserved.

71K6531



Printed on recycled paper.

