

# Lexmark C510



- 2400 image quality
- Up to 30 ppm black, 8 ppm color
- High capacity print cartridges
- Built-in help pages

**LEXMARK**<sup>™</sup>

# Lexmark C510



- Color without sacrificing black performance
- High-capacity print cartridges minimize user intervention
- On-demand assistance with resident help pages
- Supports virtually any business operating system environment

## Lexmark C510, C510n, C510dtn

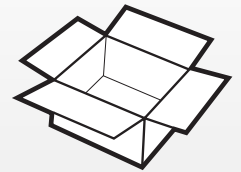
### Product Specifications

<b>Part Number</b>	US/Canada: 20K1100 (C510), 20K1200 (C510n), 20K1300 (C510dtn)
<b>Product Class</b>	Small workgroup color laser printer
<b>Speed</b>	Black: Up to 30 ppm Color: Up to 8 ppm
<b>Resolution</b>	2400 image quality, 600 x 600 dpi
<b>Time to First Page</b>	Black: Up to 13 seconds Color: Up to 19 seconds
<b>Processor</b>	500MHz
<b>Memory (std./max.)</b>	<b>C510:</b> 64MB/320MB <b>C510n, C510dtn:</b> 128MB/320MB
<b>Connectivity</b>	
Standard	<b>C510:</b> USB, Parallel, 1 internal solution port (ISP)
	<b>C510n, C510dtn:</b> USB, Ethernet, 1 ISP
Optional	<b>C510:</b> Token-Ring, Ethernet, Serial, Wireless
	<b>C510n, C510dtn:</b> Token-Ring, Parallel, Serial, Wireless
Network Mgmt. Utility	MarkVision Professional
<b>Operating Systems</b>	Windows, Linux, UNIX, Mac, NetWare and OS/400 <b>For a complete list, visit <a href="http://www.lexmark.com">www.lexmark.com</a>.</b>
<b>Printer Languages</b>	PostScript 3 and PCL 6 emulations, PPDS Migration Tool and direct PDF v1.2/v1.3 printing
<b>Fonts</b>	PCL: 89 scalable, 2 bitmapped; PostScript: 158 scalable; PPDS: 39 scalable, 5 bitmapped
<b>Size (WxDxH)</b>	<b>C510, C510n:</b> 19.5 in. x 16.5 in. x 15.2 in. (495 mm x 420 mm x 385 mm) <b>C510dtn:</b> 19.5 in. x 20.7 in. x 23.2 in. (495 mm x 525 mm x 590 mm)
<b>Weight</b>	<b>C510, C510n:</b> 67 lb. (30.3 kg) <b>C510dtn:</b> 91 lb. (41.2 kg)
<b>Acoustics</b>	53 dBA printing; 41 dBA idle
<b>Duty Cycle</b>	Up to 35,000 pages per month
<b>Warranty</b>	1-year LexOnSite <sup>SM</sup> Repair

### Media Specifications

<b>Paper Capacity</b> (sheets)	<b>C510, C510n</b>	<b>C510dtn</b>
Standard Input	250	780
Maximum Input	780	780
Output	250	250
<b>Paper Sources</b>	<b>C510, C510n</b>	<b>C510dtn</b>
Standard Input	1	2
Maximum Input	2	2
Output	1	1
<b>Media Types</b>	Plain paper, card stock, transparencies, envelopes, glossy paper, and paper labels	
<b>Media Sizes</b>	Letter, A4, A5, legal <sup>1</sup> , executive, universal (4.125 x 8.27 in. to 8.5 x 14 in.), folio, statement, envelopes (9, 10, DL, C5, B5)	
<b>Media Weights</b>	Plain paper: 16 to 32 lb. (60-120 g/m <sup>2</sup> ); Card stock: up to 110 lb. Index (up to 210 g/m <sup>2</sup> )	

### In the Box



#### Lexmark C510

- Lexmark C510 Printer
- 1,500-page Cyan, Magenta, Yellow, and Black Starter Print Cartridges
- Photodeveloper Cartridge
- Power Cord
- Publications CD
- Drivers, MarkVision and Utilities CD

#### Lexmark C510n

- Lexmark C510
- EXCEPT**
- Additional 64MB memory (128MB total)
- Ethernet (instead of parallel)

#### Lexmark C510dtn

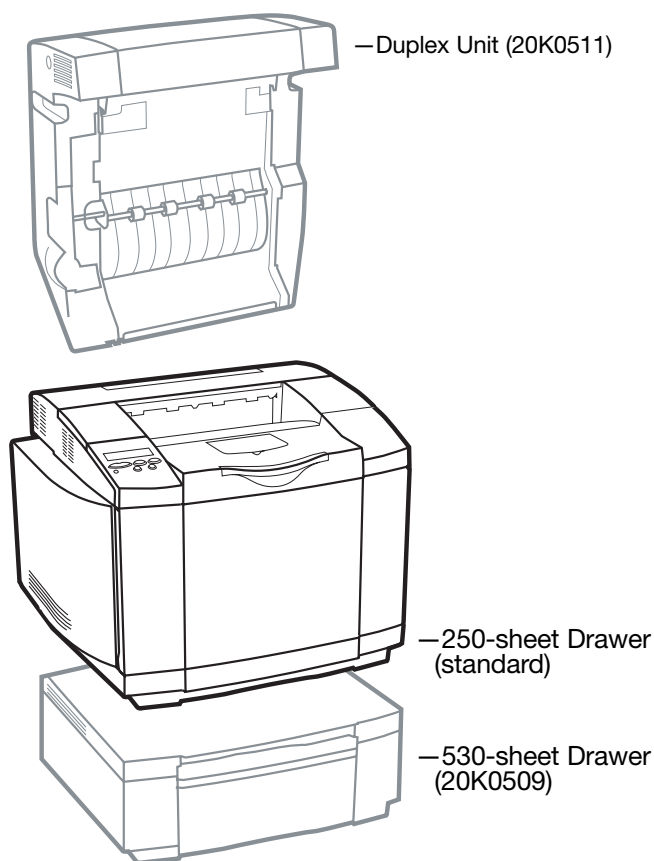
- Lexmark C510
- PLUS**
- Additional 530-sheet drawer
- \* Automatic two-sided printing

# Lexmark C510

## Supplies & Accessories

<b>Supplies<sup>2</sup></b>	10,000-page High Yield Black Print Cartridge	20K1403
	6,600-page High Yield Cyan Print Cartridge	20K1400
	6,600-page High Yield Magenta Print Cartridge	20K1401
	6,600-page High Yield Yellow Print Cartridge	20K1402
	5,000-page Black Print Cartridge	20K0503
	3,000-page Cyan Print Cartridge	20K0500
	3,000-page Magenta Print Cartridge	20K0501
	3,000-page Yellow Print Cartridge	20K0502
	Photodeveloper Cartridge	20K0504
	Waste Toner Bottle	20K0505
LV Fuser Unit	20K0506	
<b>Memory/Flash Options</b>	64MB SDRAM	16H0058
	128MB SDRAM	16H0059
	16MB Flash Card <sup>3</sup>	11K4616
	32MB Flash Card <sup>3</sup>	11K4632
	20+GB Hard Drive with Adapter	11K4603

## Paper Handling Options<sup>3</sup>



### Options not pictured:

- 250-sheet Tray (20K1024)
- 250-sheet Legal Tray (20K0510)
- 530-sheet Tray (20K1025)

## Additional Information

<sup>1</sup> For use with optional legal tray

<sup>2</sup> Yield is based on approximately 5% print coverage for mono, 20% for color.

<sup>3</sup> One flash memory slot and one application slot available

<sup>4</sup> Displays all available options for **base** model

# Lexmark C510

## Additional Accessories

<b>Paper Handling Options</b>	530-sheet Drawer	20K0509
	250-sheet Standard Tray	20K1024
	250-sheet Legal Tray	20K0510
	530-sheet Standard Tray	20K1025
	Duplex Unit	20K0511
<b>Font Options</b>	Korean Font Card	10G0743
	Simplified Chinese Font Card	10G0744
	Traditional Chinese Font Card	10G0745
	Japanese Font Card	10G0746
<b>Optra Forms Solutions</b>	Optra Forms Software	11N0040
	Optra Forms Director	11N0052
	Optra Forms Manager	11N0056
	Optra Forms 16MB Flash Card	10G0747
	Optra Forms 32MB Flash Card	10G0748
	Optra Forms 2-Key Security	43H5841
	Optra Forms 3-Key Security	43H5842
Optra Forms 20+GB Hard Disk <sup>1</sup>	10G0749	
<b>Other Options</b>	ImageQuick Card	20K1230
	Bar Code Card	20K1231
	PrintCryption Card	20K1232
<b>Adapters</b>	Parallel 1284-B Interface Card	11K4601
	RS-232C Serial Interface Card	11K4602
	External Serial Adapter	1368705
	802.11g Wireless Print Adapter <sup>2</sup>	1010042
<b>Cables</b>	Parallel (10') Cable	1329605
	USB (2-meter) Cable	12A2405
	Serial (50') Cable	1038693

Lexmark, Lexmark with diamond design and LexOnSite are trademarks of Lexmark International, Inc., registered in the United States and/or other countries. Optra Forms is a trademark of Lexmark International, Inc. Mac OS and the Mac logo are trademarks of Apple Computer, Inc., registered in the U.S. and other countries. PCL is a registered trademark of Hewlett-Packard Company. The USB-IF logos are trademarks of Universal Serial Bus Implementers Forum, Inc. All other trademarks are the property of their respective owners. © 2004. Lexmark International, Inc. All rights reserved.

71K6528



Printed on recycled paper.

