

Lexmark C522n



- Quick color output of up to 20 ppm
- Advanced spherical chemically processed toner and automatic calibration for consistently stunning results
- Compact design for users with limited space
- Control the cost of color with Lexmark's Color Care Technology
- 1-year OnSite Warranty

LEXMARKTM

Lexmark C522n

- Brilliant photo-realistic color printing at sharp 1200 x 1200 dpi
- Network-ready for easy sharing in your office or home
- Compact design optimized for users with limited space
- Easy front access to all supplies and paper path
- PostScript 3 and PCL 6 emulations provide industry-standard application support



Lexmark C522n

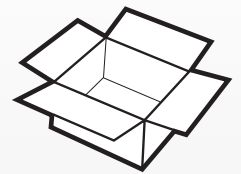
Product Specifications

Part Number	US/Canada: 22H0050
Product Class	Small workgroup color laser printer; calibrated for PANTONE™ solid color simulation
Speed	Black and color: up to 20 ppm
Print Quality	1200 x 1200 dpi resolution, 4800 Color Quality printing
Time to First Page	As fast as 13 seconds
Processor	312 MHz
Memory (std./max.)	128MB/640MB
Connectivity	
Standard	USB, Ethernet
Optional	Wireless
Operating Systems	Windows, Linux, UNIX, Mac, NetWare, and O/S 400 For a complete list, visit www.lexmark.com.
Printer Languages	PostScript 3 and PCL 6 emulations, PPDS Migration Tool
Direct Print Formats	PDF 1.5
Fonts	PCL: 89 scalable, 2 bitmapped (includes OCR-A, OCR-B and Code 3 of 9 bar codes); PostScript: 91; PPDS: 39 scalable, 5 bitmapped
Size (WxDxH)	17.3 in. x 16.1 in. x 19 in. (440 mm x 408 mm x 484 mm)
Weight	57 lb. (25.9 kg)
Acoustics	51 dBA printing, 32 dBA idle
Duty Cycle	Up to 45,000 pages per month
Warranty	1-year OnSite Repair

Media Specifications

Paper Capacity (sheets)	
Standard Input	250 + 1 single-sheet slot
Maximum Input	751 (250 + 1 + 500)
Output	250
Paper Sources	
Standard Input	2
Maximum Input	3
Output	1
Media Types	Plain paper, recycled paper, soft gloss paper, paper labels, card stock, transparencies, envelopes
Media Sizes	Letter, legal, A4, A5, JIS B5, executive, statement, folio, universal (5.83 in. x 8.27 in. to 8.5 in. x 14 in.), envelopes (7 3/4, 9, com 10, DL, C5, B5, other)
Media Weights	Plain paper: 16 to 47 lb. (60 to 176 g/m ²); recycled paper: 20 to 47 lb. (75 g/m ² to 176 g/m ²); card stock: up to 90 lb. Index (163 g/m ²)

In the Box



Lexmark C522n

- C522n printer
- 1,500-page Cyan, Magenta, Yellow, and Black Return Program Starter Toner Cartridges¹
- Photoconductor Unit
- Power Cord
- Publications CD
- Drivers and Utilities CD
- Setup Sheet
- User's Guide
- Supplies Program Flyer

COLOR
CARE
Technology

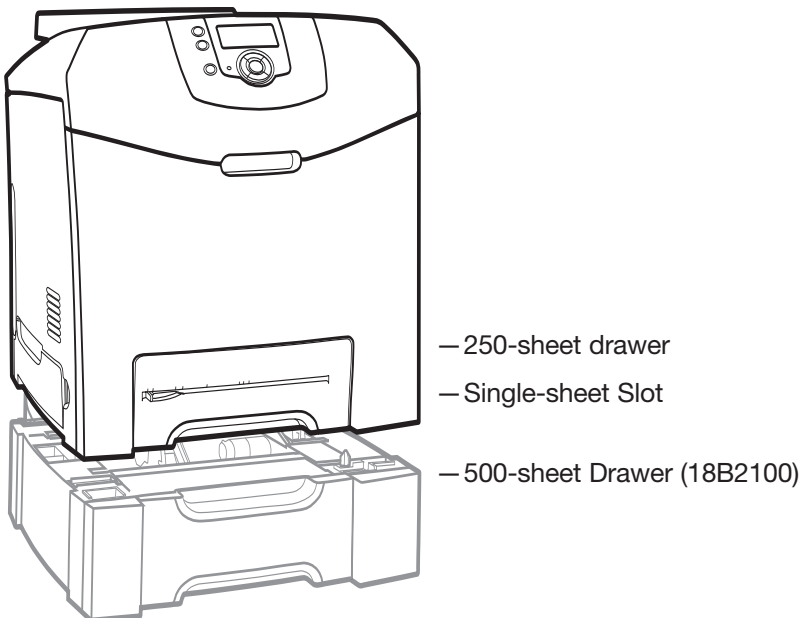
Lexmark C522n

Supplies & Accessories

Part Number

Supplies		Part Number
	3,000-page Cyan Return Program Toner Cartridge ¹	C5220CS
	3,000-page Magenta Return Program Toner Cartridge ¹	C5220MS
	3,000-page Yellow Return Program Toner Cartridge ¹	C5220YS
	4,000-page Black Return Program Toner Cartridge ¹	C5220KS
	3,000-page Cyan Toner Cartridge ¹	C5222CS
	3,000-page Magenta Toner Cartridge ¹	C5222MS
	3,000-page Yellow Toner Cartridge ¹	C5222YS
	4,000-page Black Toner Cartridge ¹	C5222KS
	Photoconductor Unit (up to 20,000 pages)	C52030X
	Photoconductor Unit Multi-Pack	C52034X
	Waste Toner Box (up to 30,000 pages)	C52025X
	Transfer Belt Maintenance Kit (up to 120,000 pages)	40X1401
	Fuser Maintenance Kit (up to 120,000 pages)	40X1400
Memory/Flash Options		
	128MB SDRAM	13N1523
	256MB SDRAM	13N1524
	512MB SDRAM	13N1526
	32MB Flash Card	1021208
	64MB Flash Card	1021209

Paper Handling Options²



Additional Information

¹ Yield is based on approximately 5% coverage per color with printer set at factory defaults.

² Displays all available options for **base** model.

Lexmark C522n

Additional Accessories

Connectivity	External Print Servers	
	MarkNet N4050e 802.11g Wireless Print Adapter ¹	14T0145
	802.11g Wireless Print Adapter ²	1010042
Application Solutions	Korean Font Card	1021240
	Traditional Chinese Font Card	1021242
	Simplified Chinese Font Card	1021241
	Japanese Font Card	1021243
Cable Options	6-foot USB Cable	12A2405
Print Media	Professional Color Laser Transparencies – letter (50 sheets)	12A8240
	Soft Gloss paper – letter (200 sheets)	12A5950

¹ Uses USB connection

² Uses Ethernet connection

Lexmark and Lexmark with diamond design are trademarks of Lexmark International, Inc., registered in the United States and/or other countries. Pantone is a trademark of Pantone, Inc. PCL is a registered trademark of Hewlett-Packard Company. The USB-IF logo is a trademark of Universal Serial Bus Implementers Forum, Inc. All other trademarks are the property of their respective owners. © 2005 Lexmark International, Inc. All rights reserved.

71K1160



Printed on recycled paper.

