

Lexmark E232



- Up to 22 pages per minute laser output for crisp black text page after page
- Two-piece imaging system is clean and easy to install and replace
- Built-in USB and parallel ports

LEXMARK[™]

Lexmark E232



- Up to 22 pages per minute laser output
- Two-piece imaging system is clean and easy to install and replace
- Built-in USB and parallel ports
- Compact footprint is ideal for users with limited space

Lexmark E232, E232t

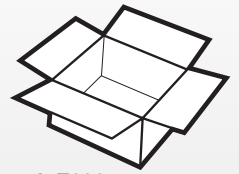
Product Specifications

Part Number	US/Canada: 22S0200 (E232), 22S0270 (E232t)
Product Class	Desktop laser printer
Speed	Up to 22 ppm
Resolution	2400 image quality, 1200 image quality, 600 x 600 dpi
Time to First Page	< 8.5 seconds
Processor	200 MHz
Memory (std./max.)	16MB/80MB
Connectivity	
Standard	Parallel, USB
Optional	Token-Ring, Ethernet, Serial, Wireless
Network Mgmt. Utility	MarkVision Professional
Operating Systems	Windows, Linux, and Mac. For a complete list, visit www.lexmark.com.
Printer Language	PCL 6 emulation
Fonts	PCL: 17 scalable and two bitmapped. Includes: OCR-A and OCR-B, Code 3 of 9 bar code fonts.
Size (WxDxH)	E232: 15.6 in. x 13.9 in. x 9.8 in. (396.2 mm x 353.1 mm x 248.9 mm) E232t: 15.6 in. x 14.8 in. x 14.9 in. (396.2 mm x 376.0 mm x 381.9 mm)
Weight	E232: 22 lb. (9.98 kg) E232t: 31 lb. (14.1 kg)
Acoustics	51 dBA printing; 30 dBA idle
Duty Cycle	Up to 10,000 pages per month
Warranty	1-year LexExpress SM limited warranty

Media Specifications

Paper Capacity (sheets)	E232	E232t
Standard Input	250+1 manual	800+1 manual
Maximum Input	800+1 manual	800+1 manual
Output	150 top or 1 rear	150 top or 1 rear
Paper Sources	E232	E232t
Standard Input	2	3
Maximum Input	3	3
Output	1 top or 1 rear	1 top or 1 rear
Media Types	Plain paper, envelopes, card stock, paper labels, and transparencies	
Media Sizes	Letter, legal, A4, A5, executive, universal (3 x 5 in. to 8.5 x 14 in.), statement, JIS B5, folio, and envelopes (7 ³ / ₄ , 9, 10, DL, C5, B5)	
Media Weights	Plain paper: 16 to 43 lb. (60 to 163 g/m ²); Card stock: up to 90 lb. Index (163 g/m ²)	

In the Box



Lexmark E232

- Lexmark E232 Printer
- 1,500-page Starter Return Program Print Cartridge
- 30,000-page Photoconductor Kit
- Power Cord
- Dust cover for extended paper tray
- Publications CD
- Drivers, MarkVision and Utilities CD

Lexmark E232t

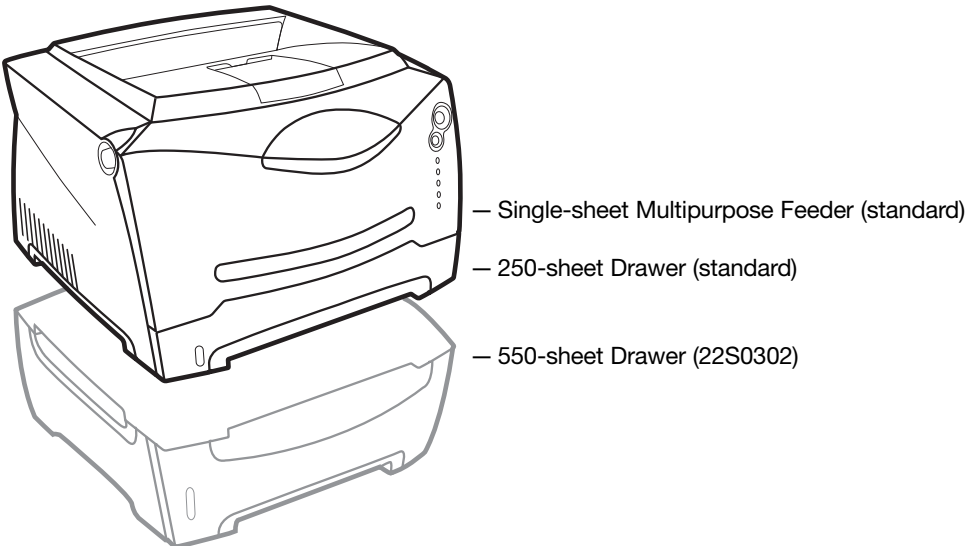
- Lexmark E232 **PLUS**
- Additional 550-sheet drawer

Lexmark E232

Supplies & Accessories

Supplies ¹	2,500-page Return Program Print Cartridge	12A8400
	2,500-page Print Cartridge	12A8300
	30,000-page Photoconductor Kit	12A8302
Memory Options	16MB SDRAM	16H0056
	32MB SDRAM	16H0057
	64MB SDRAM	16H0058

Paper Handling Options³



Options not pictured:

250-sheet Tray (22S0300)
550-sheet Tray (22S0301)

Additional Information

¹ Yield is based on approximately 5% print coverage

² Displays all available options for **base** model

Lexmark E232

Additional Accessories

Paper Handling Options	550-sheet Drawer	22S0302
	250-sheet Tray	22S0300
	550-sheet Tray	22S0301
Media	Transparencies (Letter, 50 sheets)	70X7240
	Transparencies (A4, 50 sheets)	12A5010
Adapters	External Serial Adapter	1368705
	802.11g Wireless Print Adapter	1010042
Cables	Parallel Cable (10 ft.)	1329605
	Serial Cable (50 ft.)	1038693
	USB Cable (2-meter)	12A2405
Connectivity	MarkNet X2011e Ethernet 10/100BaseTX	46D0060
	MarkNet X2012e Ethernet 10/100BaseT/10Base2	46D0040
	MarkNet X2031e Ethernet 10/100BaseTX	46D0020
	MarkNet X2030t Token-ring	46D0000
	Lexmark N4000e Ethernet 10/100BaseTX	14T0030

Lexmark, Lexmark with diamond design and LexOnSite are trademarks of Lexmark International, Inc., registered in the United States and/or other countries. Optra Forms is a trademark of Lexmark International, Inc. Mac OS and the Mac logo are trademarks of Apple Computer, Inc., registered in the U.S. and other countries. PCL is a registered trademark of Hewlett-Packard Company. The USB-IF logos are trademarks of Universal Serial Bus Implementers Forum, Inc. All other trademarks are the property of their respective owners. © 2004. Lexmark International, Inc. All rights reserved.

71K6400



Printed on recycled paper.

