

Lexmark W840



- **Fast, efficient wide-format departmental laser printer**
- **Available finishing option includes stapling, hole punching and offset stacking**
- **Direct interface for quick walk-up printing from USB flash memory drive**
- **Full-speed duplex printing at up to 50 sides per minute⁵**

LEXMARKTM

Lexmark W840



- Less than 7 seconds time to first page
- Up to 300,000 pages per month duty cycle for demanding offices
- ImageQuick™ standard for fast graphic printing
- Numeric keypad for easy entry of confidential printing PINs

Lexmark W840, W840n, W840dn

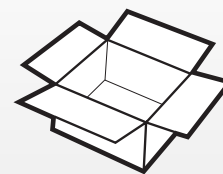
Product Specifications

Part Number	US/Canada: 25A0075 (W840), 25A0001 (W840n), 25A0076 (W840dn)
Product Class	Wide-format departmental laser printer
Speed	Up to 50 ppm
Resolution	1200 x 1200 dpi, 2400 image quality, 600 x 600 dpi
Time to First Page	< 7 seconds
Processor	625 MHz
Memory (std./max.)	256MB/768MB
Connectivity	
Standard	W840: USB, Parallel, 1 internal solutions port (ISP), USB Direct Interface W840n, W840dn: Ethernet, USB, Parallel, 1 ISP, USB Direct Interface
Optional	W840: Ethernet, Gigabit Ethernet, Serial, Token-Ring, Coax/Twinax, Wireless, Fiber Optic W840n, W840dn: Gigabit Ethernet, Serial, Token-Ring, Coax/Twinax, Wireless, Fiber Optic
Network Mgmt. Utility	MarkVision Professional
Operating Systems	Windows, Linux, UNIX, Mac, NetWare and OS/400 For a complete list, visit www.lexmark.com.
Printer Languages	PostScript 3 and PCL 6 emulations, PPDS Migration Tool
Direct Print Formats	Base: PDF v1.5; Network: PDF v1.5, JPEG, JPG, TIFF, GIF, PNG, BMP, PCX and DCX
Fonts	PCL: 89 scalable, 2 bitmapped. Includes OCR-A, OCR-B and Code 3 of 9 bar codes; PostScript: 158 scalable; PPDS: 39 scalable and 5 bitmapped
Size (WxDxH)	W840, W840n: 24.3 in. x 20.5 in. x 18.7 in. (616 mm x 520 mm x 475 mm) W840dn: 24.3 in. x 20.5 in. x 22.5 in. (616 mm x 520 mm x 571 mm)
Weight	W840, W840n: 97 lb. (44.2 kg) W840dn: 101 lb. (46 kg)
Acoustics	55 dBA printing; 28 dBA idle
Duty Cycle	Up to 300,000 pages per month
Warranty	1-year LexOnSite SM Repair

Media Specifications

Paper Capacity (sheets)	
Standard Input	1,100 (500+500+100 MPT)
Maximum Input	5,100
Standard Output	500
Maximum Output	3,800
Paper Sources	
Standard Input	3
Maximum Input	6
Standard Output	1
Maximum Output	3
Media Types	Plain paper, envelopes, card stock, transparencies, paper labels
Media Sizes	Letter, legal, A4, A3, A5, JIS B4, JIS B5, universal (3.5 x 3.8 in. to 11.7 x 17 in.), tabloid, statement, executive, folio, and envelopes (7 3/4, 8, 10, DL, C5, other)
Media Weights	Plain paper: 17 to 58 lb. (64 to 216 g/m ²); Card stock: up to 110 lb. Index (199 g/m ²)

In the Box



Lexmark W840

- Lexmark W840 Printer
- 30,000-page Toner Cartridge¹
- Photoconductor (Up to 60,000 pages)
- Setup Sheet
- Publications CD
- Drivers and Utilities CD
- Power Cord

Lexmark W840n

- Lexmark W840
- PLUS**
- Ethernet

Lexmark W840dn

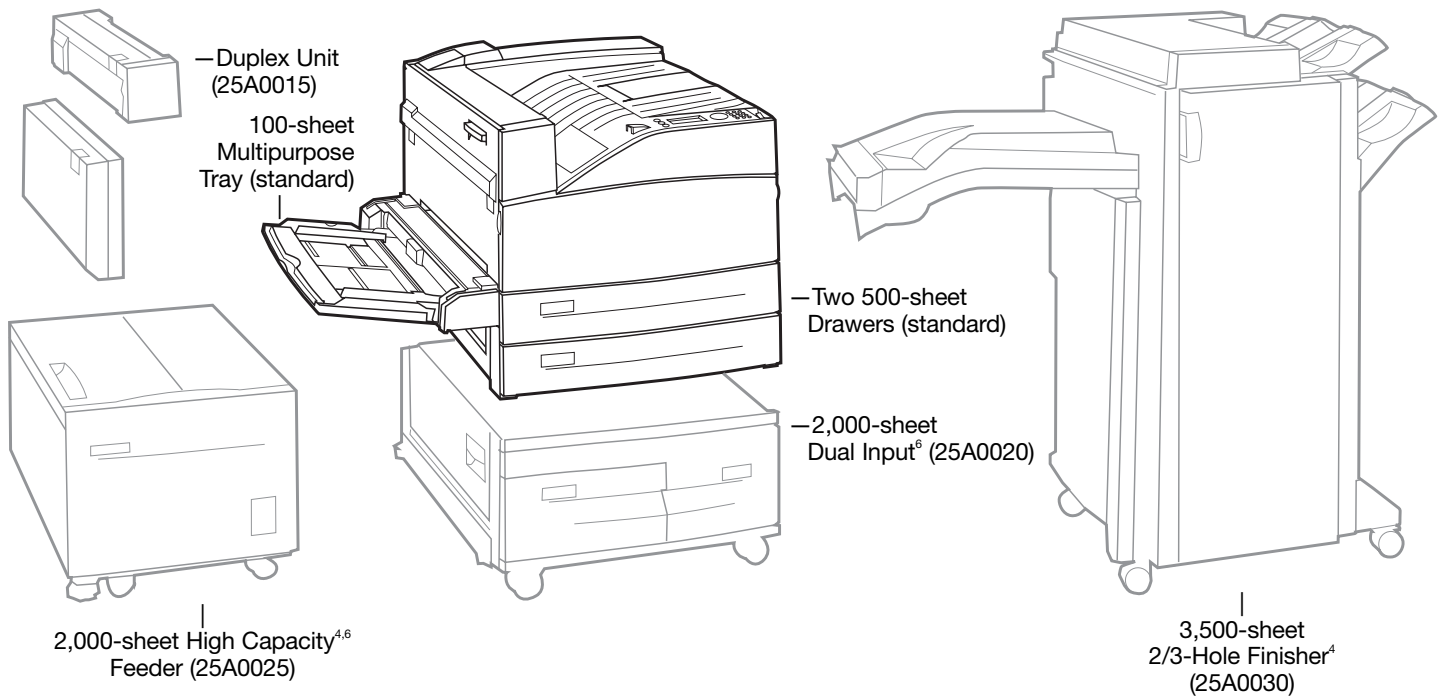
- Lexmark W840n
- PLUS**
- Duplex unit

Lexmark W840

Supplies & Accessories

Supplies	30,000-page Toner Cartridge ¹	W84020H
	Photoconductor Kit (Up to 60,000 pages)	W84030H
	Staple Pack (3 cartridges of 5,000)	25A0013
	Routine Maintenance Item: Maintenance Kit	40X0956
Memory/Flash Options	128MB DDR RAM	13N1523
	256MB DDR RAM	13N1524
	512MB DDR RAM	13N1526
	32MB Flash Card ²	1021208
	64MB Flash Card ²	1021209
	20+GB Hard Disk	12N1262

Paper Handling Options²



Options not pictured:
2x500-sheet Drawer (25A0010)

Additional Information

¹ Declared standard page yield value in accordance with ISO/IEC 19752

² One flash memory slot and one application slot available

³ Displays all available options for **base** model

⁴ Requires either 2,000-sheet dual input or optional 2x500-sheet drawer

⁵ Requires optional duplex unit for W840 or W840n

⁶ Up to letter size supported

Lexmark W840

Additional Accessories

Connectivity	MarkNet X2000 Series External Print Servers ¹	
	X2011e Ethernet 10/100BaseTX	46D0060
	X2012e Ethernet 10/100BaseTX/10Base2	46D0040
	X2031e Ethernet 10/100BaseTX (3 ports)	46D0020
	X2030t Token-Ring (3 ports)	46D0000
	MarkNet N4000 Series External Print Servers ²	
	N4000e Ethernet 10/100BaseTX	14T0030
	MarkNet N8000 Series Internal Print Servers	
	N8000 Fast Ethernet	14S0230
	N8020 Gigabit Ethernet	14S0200
	N8030 Fiber 10/BaseFX	14S0220
	Wireless	
	N8050 802.11g Print Server	14S0165
	N4050e 802.11g Print Server ²	14T0145
802.11g Print Adapter	1010042	
Application Solutions	Bar Code Card	25A0036
	Card for IPDS and SCS/TNe	25A0032
	PrintCrypton™ Card	25A0034
	Forms Card – Single Byte	25A0035
	Forms Card – Simplified Chinese	25A0037
	Card for PRESCRIBE	25A0033
	Korean Font Card	1021240
	Simplified Chinese Font Card	1021241
	Traditional Chinese Font Card	1021242
	Japanese Font Card	1021243
Other Attachment Options	1284-B Parallel Card	11K4601
	RS-232C Serial Interface Card	11K4602
	RS-232C/422C External Serial Adapter	1368705
	Coax/Twinax Adapter for SCS	14S0240
Cable Options	Serial 50-foot Cable	1038693
	Parallel 6-foot 1284-C Cable	11K4078
	Parallel 1284 C-B Adapter	11K4250
	USB 6-foot Cable	12A2405
	Parallel 10-foot high speed bidirectional Cable	1329605
Print Media	Transparencies	70X7240

¹ Requires external parallel connection

² Requires USB connection

Lexmark and Lexmark with diamond design are trademarks of Lexmark International, Inc., registered in the United States and/or other countries. PrintCrypton and ImageQuick are trademarks of Lexmark International, Inc. LexOnSite is a service mark of Lexmark International, Inc. Mac is a trademark of Apple Computer, Inc., registered in the U.S. and other countries. PCL is a registered trademark of Hewlett-Packard Company. The USB-IF logo is a trademark of Universal Serial Bus Implementers Forum, Inc. All other trademarks are the property of their respective owners. © 2005 Lexmark International, Inc. All rights reserved.

71K1130



Printed on recycled paper.

